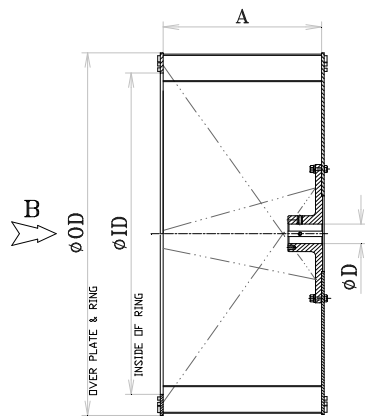
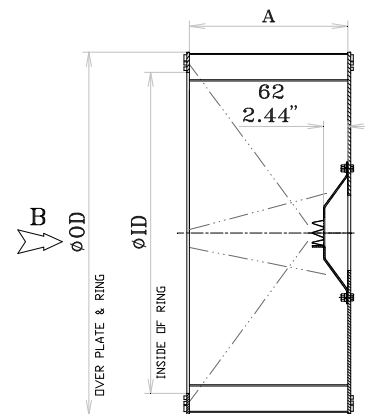


HI-TECH BLOWERS

IMPELLER TYPE	Wheel			Dmm Diameter Bore	Z No Of Blades
	A net Blade	OD Over Plate&Ring	ID Inside Ring		
ASZ 500	200mm 7.87"	502mm 19.76"	422mm 16.61"	24 Or 28	38
ASZ 560	225mm 8.86"	562mm 22.12"	482mm 18.97"	24 Or 28	42
ASZ 630	250mm 9.84"	633mm 24.92"	543mm 21.38"	28	38
ASZ 710	280mm 11.02"	713mm 28.07"	623mm 24.53"	38 Or 40	42
ASZ 800	320mm 12.60"	807mm 31.77"	695mm 27.36"	38 Or 40	38
ASZ 800P	320mm 12.60"	807mm 31.77"	695mm 27.36"	76 Or 115	38
ASZ 900	361mm 14.21"	907mm 35.70"	795mm 31.30"	50	42
ASZ 900P	361mm 14.21"	907mm 35.70"	795mm 31.30"	76 Or 115	42
ASZ 1000	404mm 15.90"	1007mm 39.65"	895mm 35.23"	50	47
ASZ 1000P	404mm 15.90"	1007mm 39.65"	895mm 35.23"	76 Or 115	47



TYPE : ASZ



TYPE : ASZ-P

MATERIAL : GALVANIZED STEEL & STAINLESS STEEL

ROTATION FROE VIEW HUB (B) : CW Or CCW