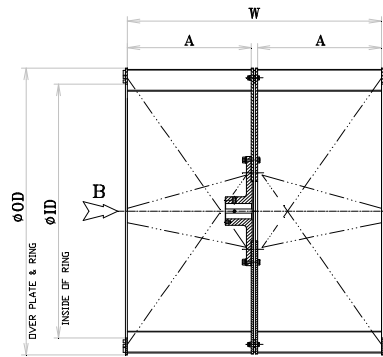
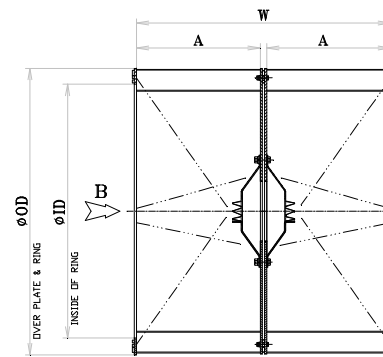
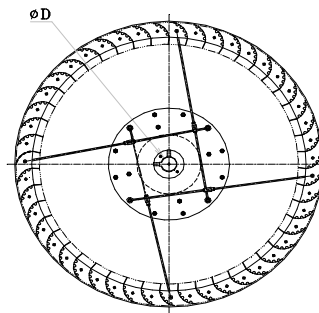


HI-TECH BLOWERS

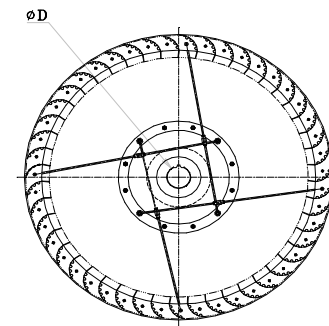
IMPELLER TYPE	Wheel				Dmm Diameter Bore	Z No Of Blades
	W net Blade	A net Blade	OD Over Plate&Ring	ID Inside Ring		
ADN 500	410mm 16.15"	200mm 7.87"	502mm 19.76"	422mm 16.61"	35	38
ADN 500P	410mm 16.15"	200mm 7.87"	502mm 19.76"	422mm 16.61"	76 Or 115	38
ADN 560	460MM 18.11"	225mm 8.86"	562mm 22.12"	482mm 18.97"	40	42
ADN 560P	460MM 18.11"	225mm 8.86"	562mm 22.12"	482mm 18.97"	76 Or 115	42
ADN 630	510mm 20.07"	250mm 9.84"	633mm 24.92"	543mm 21.38"	40	38
ADN 630P	510mm 20.07"	250mm 9.84"	633mm 24.92"	543mm 21.38"	76 Or 115	38
ADN 710	270mm 22.44"	280mm 11.02"	713mm 28.07"	623mm 24.53"	50	42
ADN 710P	270mm 22.44"	280mm 11.02"	713mm 28.07"	623mm 24.53"	76 Or 115	42
ADN 800	650mm 25.60"	320mm 12.60"	807mm 31.77"	695mm 27.36"	50	38
ADN 800P	650mm 25.60"	320mm 12.60"	807mm 31.77"	695mm 27.36"	76 Or 115	38
ADN 900	732mm 28.82"	361mm 14.21"	907mm 35.70"	795mm 31.30"	60	42
ADN 900P	732mm 28.82"	361mm 14.21"	907mm 35.70"	795mm 31.30"	76 Or 115	42
ADN 1000	819mm 32.20"	404mm 15.90"	1007mm 39.65"	895mm 35.23"	60	47
ADN 1000P	819mm 32.20"	404mm 15.90"	1007mm 39.65"	895mm 35.23"	76 Or 115	47



TYPE : ADN



TYPE : ADN-P



MATERIAL : GALVANIZED STEEL & STAINLESS STEEL

ROTATION FROE VIEW HUB (B) : CW Or CCW