



Forward Curved Centrifugal Blower Wheels - STRIP Type - ALL MODELS

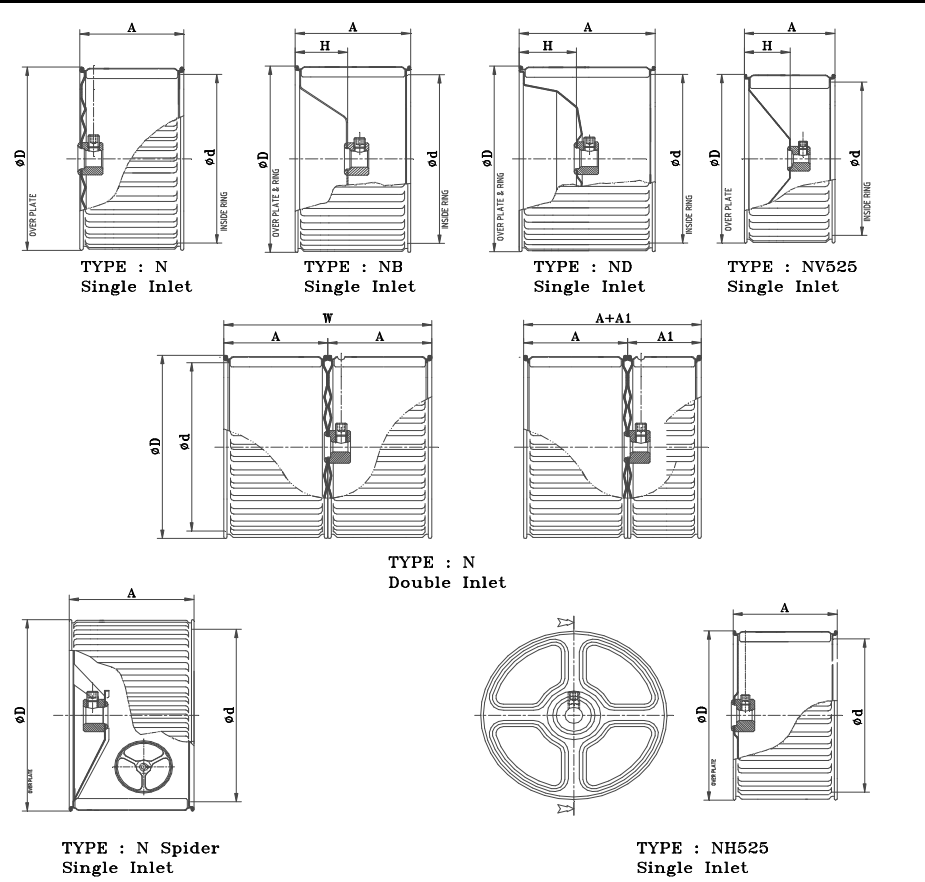
See Blowers HOUSINGS chart for matching housings.

Made of rigid, one-piece blade strip roll, locked to front ring and back plate.
 Materials: Galvanized steel, aluminum, aluminized steel, stainless steel.
 Standard hub bore sizes: 1/4", 5/16", 3/8", 1/2", 5/8", 3/4", others per request.

One set screw - standard. More screws, key-way, pulling groove - special order.
 Rotation is determined by viewing the hub from the open side.
 Dimensions shown are standard - special sizes may be available upon request.

See Single, Double, NH and Spider charts for more details.

PART No.	Diameter D		Diameter Inside Ring Inches	Single Inlet A Width	Double Inlet W Width	Concave H Inch mm
	mm	Inches				
N150	38	1.50	1.18	0.625		
N300	76	3.00	2.50	1.00" To 2.00" 26mm To 51.5mm	2.00" To 4.00" 52mm To 103mm	
N319	81	3.19	2.67	1.00" To 2.50" 26mm To 61.5mm	2.00" To 5.00" 52mm To 123mm	
N381	96	3.81	3.25	1.00" To 2.93" 26mm To 73.5mm	2.00" To 5.86" 52mm To 147mm	
N425	107	4.21	3.75	1.00" To 4.72" 26mm To 120mm	2.00" To 9.44" 52mm To 240mm	
N475	120	4.75	4.25	1.00" To 3.81" 26mm To 96mm	2.00" To 7.62" 52mm To 192mm	
NB475	120	4.75	4.25	1.00" To 3.81" 26mm To 96mm		0.79" 20mm
N525	132.5	5.22	4.72	1.00" To 4.33" 26mm To 110mm	2.00" To 8.66" 52mm To 220mm	
NH525	132.5	5.22	4.72	1.00" To 4.33" 26mm To 110mm		
NB525	132.5	5.22	4.72	1.00" To 4.33" 26mm To 110mm		0.90" 23mm
NV525	132.5	5.22	4.72	1.50" To 4.33" 61.5mm To 110mm		1.28" 32.5mm
N575	143.5	5.65	5.20	1.00" To 4.72" 26mm To 120mm	2.00" To 9.44" 52mm To 240mm	
NB575	143.5	5.65	5.20	1.87" To 4.72" 47.5mm To 120mm		1.45" 37mm
ND575	143.5	5.65	5.20	1.87" To 4.72" 47.5mm To 120mm		1.57" 40mm
N600 Spider	150	5.90	5.31	2.00" To 4.72" 51.5mm To 120mm		1.02" 26mm
N631	157.5	6.20	5.63	2.00" To 4.72" 51.5mm To 120mm	4.00" To 9.44" 102mm To 240mm	
N728	183.5	7.22	6.51	2.00" To 4.72" 51.5mm To 120mm	4.00" To 9.44" 102mm To 240mm	
N787	200	7.87	7.09	2.00" To 4.72" 51.5mm To 120mm	4.00" To 9.44" 102mm To 240mm	
N787 Spider	200	7.87	7.09	2.00" To 4.72" 51.5mm To 120mm		1.63" 41mm
N845	213.5	8.41	7.72	2.00" To 4.72" 51.5mm To 120mm	4.00" To 9.44" 102mm To 240mm	
N945	238.5	9.39	8.74	2.93" To 4.72" 73.5mm To 120mm	5.86" To 9.44" 147mm To 240mm	



Blower Wheels - STRIP Type - SINGLE Inlet Blower Wheels - STRIP Type - DOUBLE Inlet STRIP Type - Single Inlet - SPIDER STRIP Type - Single Inlet - NH525